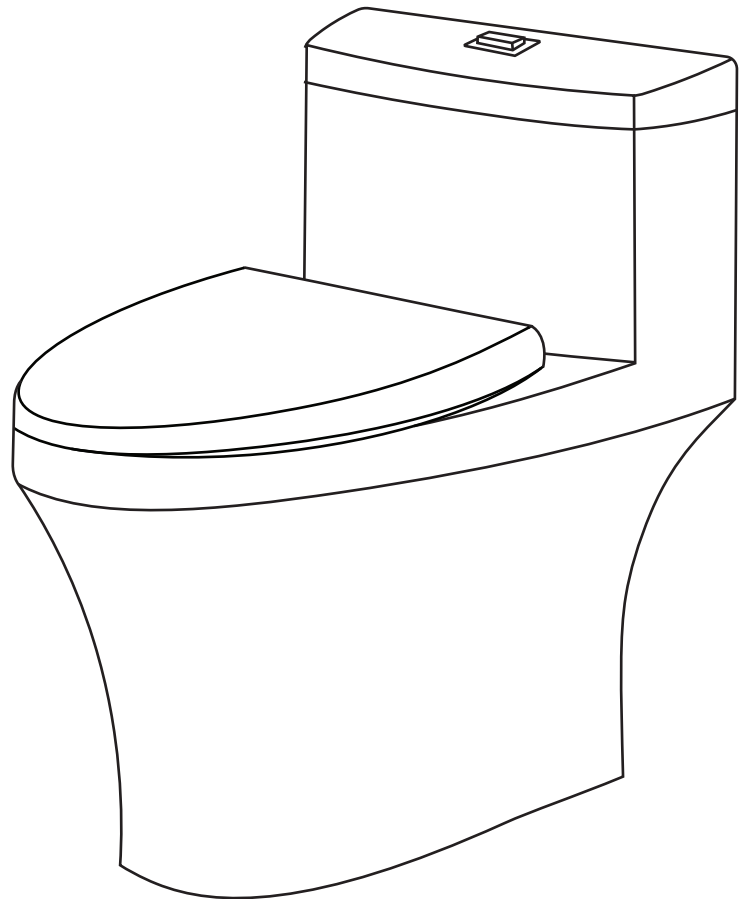


INSTALLATION INSTRUCTIONS

ONE PIECE HIGH EFFICIENCY TOILET



MODEL# MOTB17



READ ALL INSTRUCTIONS BEFORE USING

IMPORTANT SAFEGUARDS

When using electrical products, especially when children are present, basic safety precautions should always be followed, including the following:

1. The appliance is not to be used by persons (including children) with reduced physical, sensory or mental capabilities, or lack of experience and knowledge, unless they have been given supervision or instruction.
2. Children being supervised not to play with the appliance.
3. This appliance can be used by children aged from 8 years and above and persons with reduced physical, sensory or mental capabilities or lack of experience and knowledge if they have been given supervision or instruction concerning use of the appliance in a safe way and understand the hazards involved.
4. Children should not play with the appliance.
5. Cleaning and user maintenance should not be made by children without supervision.



DANGER

TO REDUCE THE RISK OF ELECTROCUTION

1. Do not use while bathing.
2. Do not place or store product where it can fall or be pulled into a tub or sink.
3. Do not place in or drop into water or other liquid.
4. Do not reach for a product that has fallen into water. Unplug immediately.
5. Do not wash the main unit or electrical plug with water or detergent.
6. Do not handle the electrical plug with wet hands.
7. Do not put hands or other material over the outlet of air dryer or block the outlet of air dryer.
8. Never disassemble, repair or modify this product.
9. During installation, disassembly, repair and maintenance of the product, the power plug must be switched off and water supply must be shut off.



WARNING

TO REDUCE THE RISK OF BURNS, ELECTROCUTION, FIRE, OR INJURY TO PERSONS.

1. Close supervision is necessary when this product is used by, on, or near children or invalids.
2. Use this product only for its intended use as described in this manual. Do not use attachments not recommended by the manufacturer.
3. Never operate this product if it has a damaged cord or plug, if it is not working properly, if it has been dropped or damaged, or dropped into water. Return the product to a service center for examination and repair.
4. Keep the cord away from heated surfaces.
5. Never use while sleeping or drowsy.
6. Never drop or insert any object into any opening or hose.
7. Do not use outdoors or operate where aerosol (spray) products are being used or where oxygen is being administered.
8. Connect this product to a properly grounded outlet only. See Grounding Instructions.
9. Do not throw cigarettes or other burning materials into toilet, this may cause a fire.
10. This product is an electric appliance, so it must be placed far away from water. Please do not soak any product in urine or any other liquid.
11. Do not lay on side or upside down while electrical circuit is active.
12. It is prohibited to use other electric appliances in the same socket.
13. It is prohibited to use the power extension cable or use an unstable or loose outlet.
14. Installation of the bidet seat should include specified components and new water supply hose. Please DO NOT use previous or aging water supply hose as that could cause possible leakage.

IMPORTANT SAFETY INSTRUCTIONS



CAUTION

INDICATES THAT FAILURE TO FOLLOW THE INSTRUCTION MAY CAUSE BODY INJURY OR PROPERTY DAMAGE.

1. Do not install or use the product in wet places such as a steam room, etc.
2. It is recommended to use a water-proof electrical outlet, which should be installed in a dry and safe place where it is not easy to get wet.
3. This product should be used with 110V-120V,50/60Hz electrical current only,load current is at least 15A. Power plug must be equipped with ground fault circuit interrupter or ground fault electrical leakage protector or similar high sensitive, rapid type leakage switch (Rated sensitive current under 6mA).
4. When it thunders,it is strongly recommended to pull out the power plug.
5. Do not stand on ceramic toilet.
6. Floor fixing bolts must be installed with this product.
7. Do not stand on product unit,seat or cover.
8. Do not lean against the seat cover when using the product,to avoid damage.
9. This product is equipped with soft-closing seal cover.Heavy pressing or pushing may damage the soft-closing damper.
10. Do not use lacquer thinner,petrol,liquid medicine,detergent,insecticide,toilet cleanser and scrubbing brush to clean the product.
11. Exposure to direct sunlight is prohibited.
12. Only use tap water or potable water;otherwise it may cause chafing.
13. Do not connect water supply to heater outlet.Make sure inlet water temperature at 3~35°C / 37.4~95. F
14. When the room temperature is under zero degrees, please dry up the water tank,to avoid freezing.
15. To prevent damage due to freezing, keep room temperature above 12.8 C / 55 F
16. When moving the product from a cold ow wet environment into normal room temperature, wait until all condensation has evaporated. Doing so can prevent any electrical short circuit.
17. When not using the product over three(3) days,drain the water out of the container and pull the electrical plug from the wall outlet.
18. Stop using the product and shut off the power when product malfunctions, please contact service professionals for service.

GROUNDING INSTRUCTIONS

This product should be grounded. In the event of an electrical short circuit, grounding reduces the risk of electric shock by providing an escape wire for the electric current. This product is equipped with a cord having a grounding wire with a grounding plug. The plug must be plugged into an outlet that is properly installed and grounded.



DANGER

IMPROPER USE OF THE GROUNDING PLUG CAN RESULT IN A RISK OF ELECTRIC SHOCK.

If repair or replacement of the cord or plug is necessary, do not connect the grounding wire to either flat blade terminal. The wire with insulation having an outer surface that is green with or without yellow stripes is the grounding wire. This product is factory equipped with a specific electric cord and plug to permit connection to a proper electric circuit. Make sure that the product is connected to an outlet having the same configuration as the plug. No adapter should be used with this product. Do not modify the plug provided — if it will not fit the outlet, have the proper outlet installed by a qualified electrician. If the product must be reconnected for use on a different type of electric circuit, the reconnection should be made by qualified service personnel.

SAVE THESE INSTRUCTIONS

TOILET COMPONENTS

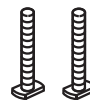
- During unpacking of the product, and prior to installation, inspect your new product for any damages or missing parts
- Do not attempt to install or operate the product if the product is damaged.



WAX RING X1



2X NUTS



CLOSET BOLTS X2

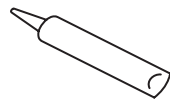


2X WASHERS

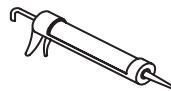
TOOLS REQUIRED FOR INSTALLATION



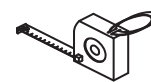
SOFT CLOTH
OR BLANKET



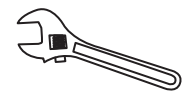
SILICONE



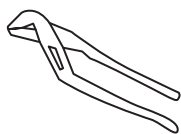
SILICONE/
CAULK GUN



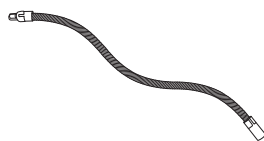
TAPE
MEASURE



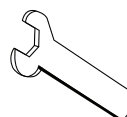
ADJUSTABLE
WRENCH



CHANNEL
LOCK PLIERS



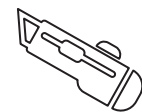
ADJUSTABLE
SOCKET EXTENSION



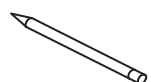
HAND
WRENCH



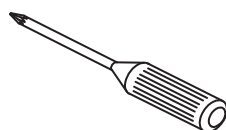
SAFETY GLASS



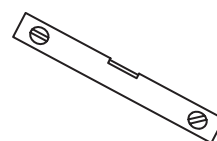
KNIFE



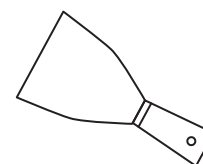
PENCIL/MARKER



PHILIPS
SCREWDRIVER

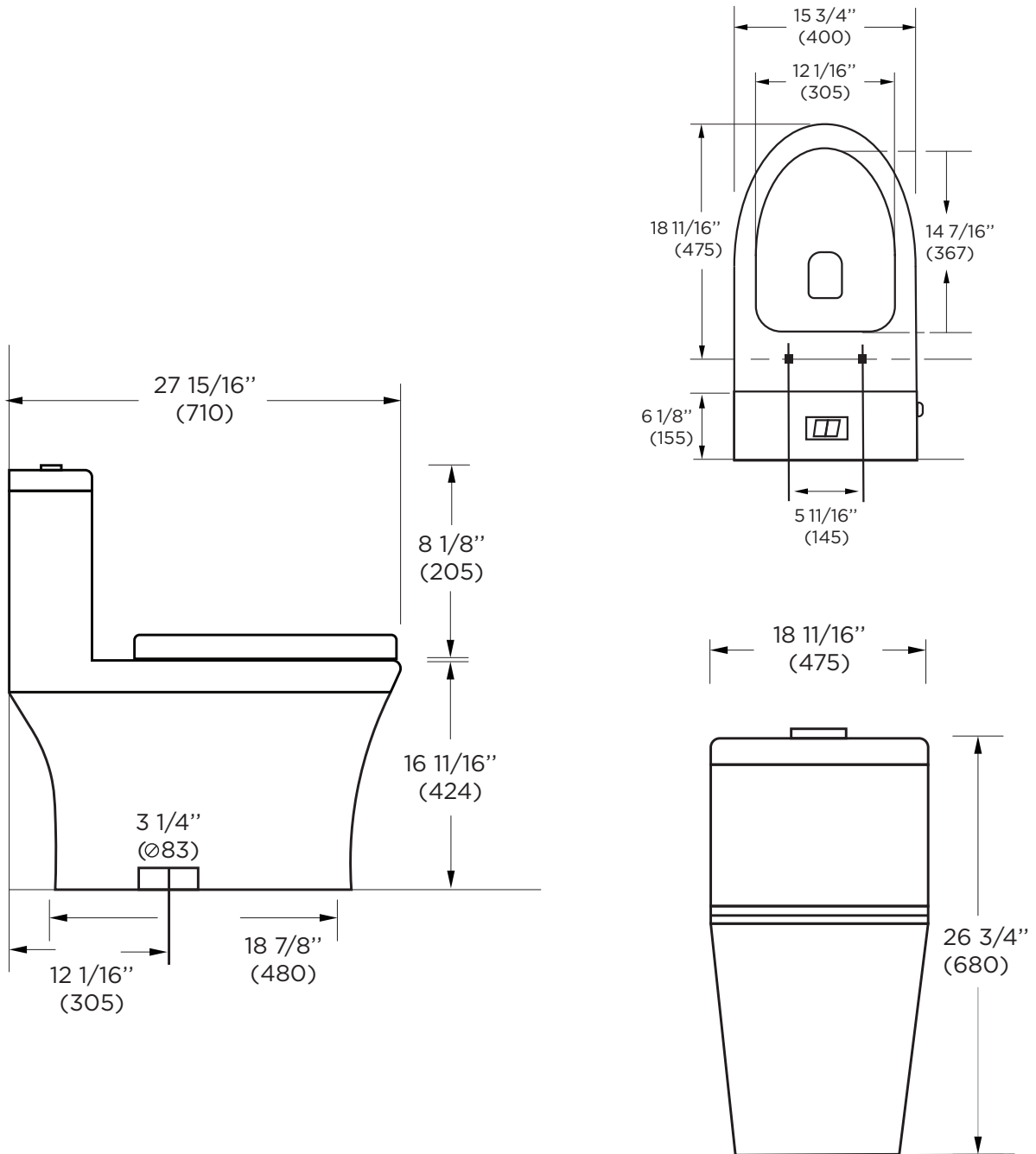


LEVEL



PUTTY KNIFE

DIMENSIONS/TECHNICAL DATA



1. The product drawing is for reference only, and we reserve the right to modify the appearance of the product.
2. If the appearance of the product is changed, the actual product shall prevail.

INSTALLATION INSTRUCTIONS CARE AND MAINTENANCE

To ensure this product is installed properly, please read these instructions carefully before you begin. (Certain installations may require professional help.) Also be sure your installation conforms to local codes.



CAUTION

**HANDLE WITH CARE. VITREOUS CHINAWARE FRAGILE
WITH SHARP EDGES IF BROKEN.**

NOTE: PICTURES MAY NOT EXACTLY DEFINE CONTOUR OF CHINA AND COMPONENTS.

RECOMMENDED TOOLS AND MATERIALS

Putty knife	Flathead Screwdriver	Adjustable Wrench	Sealant	Tape Measure
Hacksaw	Flexible Supply Hose	Water Supply Kit	Carpenters Level	

STEP #1

Remove old toilet

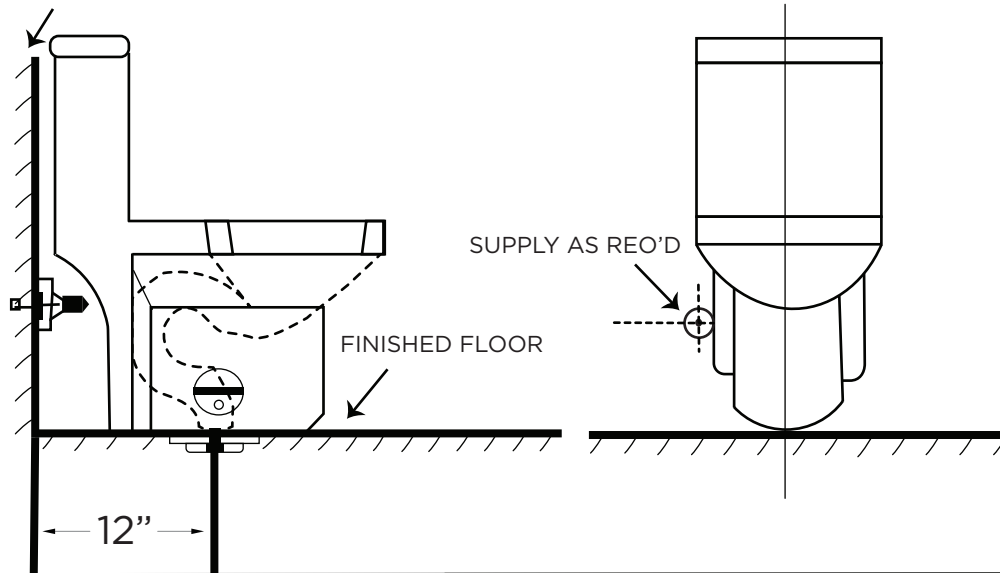
- a. Turn off water supply valve and flush tank completely. Towel or sponge remaining water from tank and bowl.
- b. Disconnect and remove old water supply line. NOTE: If replacing valve, first shut off main water supply!
- c. Remove old mounting hardware, remove toilet and plug floor flange to block sewer gases from escaping.
- d. Remove closet bolts from flange and clean away old wax, putty, etc from base area.

**NOTE: MOUNTING SURFACE MUST BE CLEAN AND LEVEL
BEFORE NEW TOILET IS INSTALLED.**

STEP #2

Roughing-in dimensions

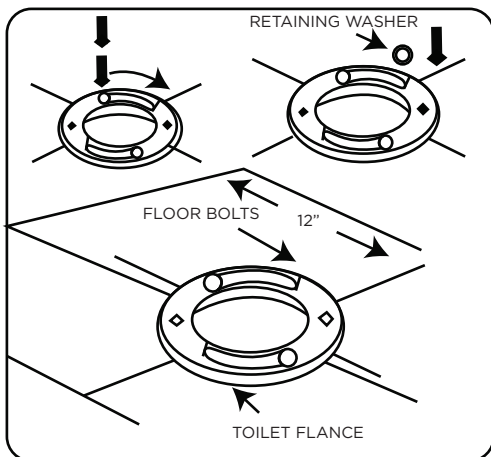
NOTE: DISTANCE FROM WALL TO CLOSET FLANGE CENTER LINE MUST BE AS LISTED ON CHART:



STEP #3

Install closet bolts

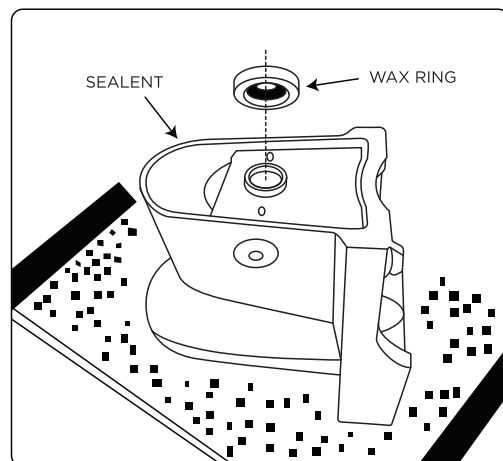
- Insert floor bolts into flange channel with bolt head down use plastic retaining washers to hold the bolts in full-length. Floor bolts should be parallel to wall and 6" (152mm) apart.



STEP #4

Install wax ring

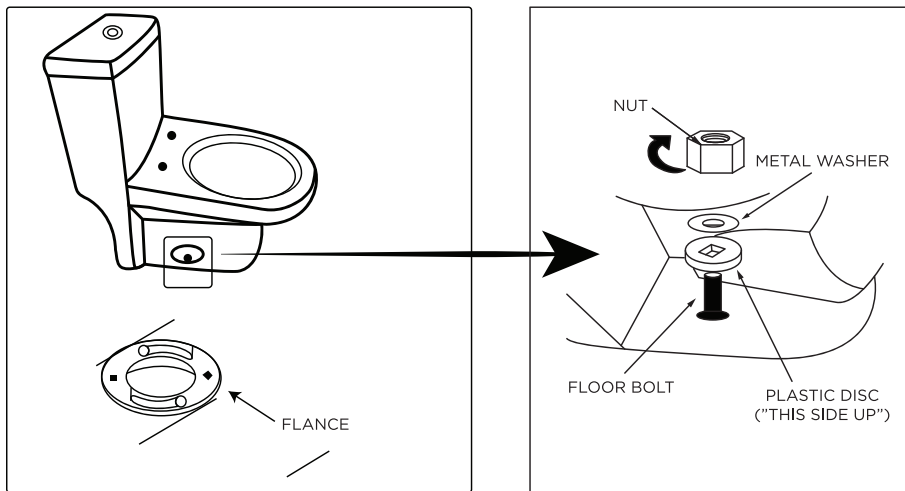
- Turn toilet bowl down onto a towel or cushioned surface. Place the wax ring around the draining outlet of the bowl and press firmly enough. Apply a thin bead of sealant around toilet base.



STEP #5

Position toilet bowl on flange

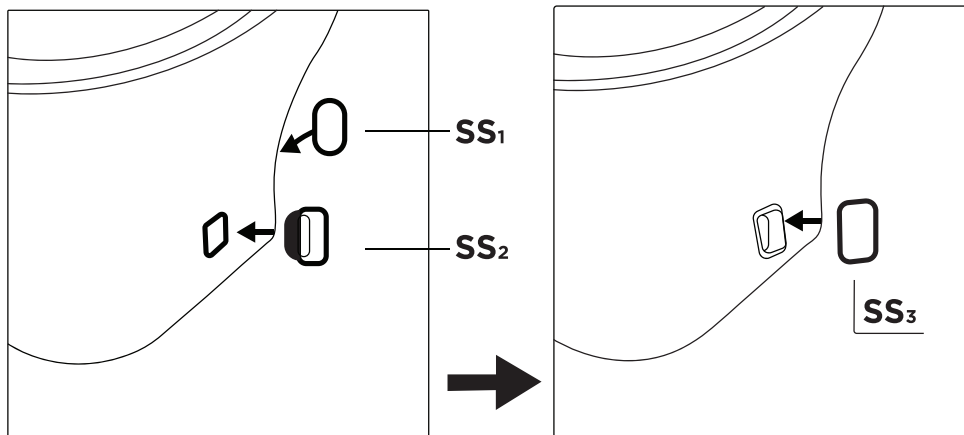
- a. Unplug floor waste opening, gently place the bowl in position with the floor bolts protruding up through the hole in the base.
- b. Press down with slight twisting motion on the top center of bowl to compress the wax ring creating a water-tight seal.
- c. Place plastic disc, metal washers and nuts o floor bolts.



STEP #6

Installing the cover of the floor bolt

Part (SS1) and (SS2) are already installed into the opening when you get the toilet. Click the cover of the floor bolt (SS3) into part (SS2). Then repeat the second cover for the other side of the toilet.



RETAIN THIS INSTALLATION MANUAL
FOR FUTURE REFERENCE.

Thank you for choosing FINE FIXTURES.